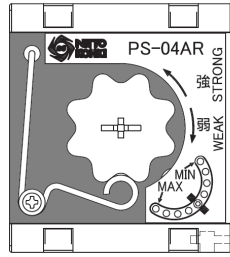
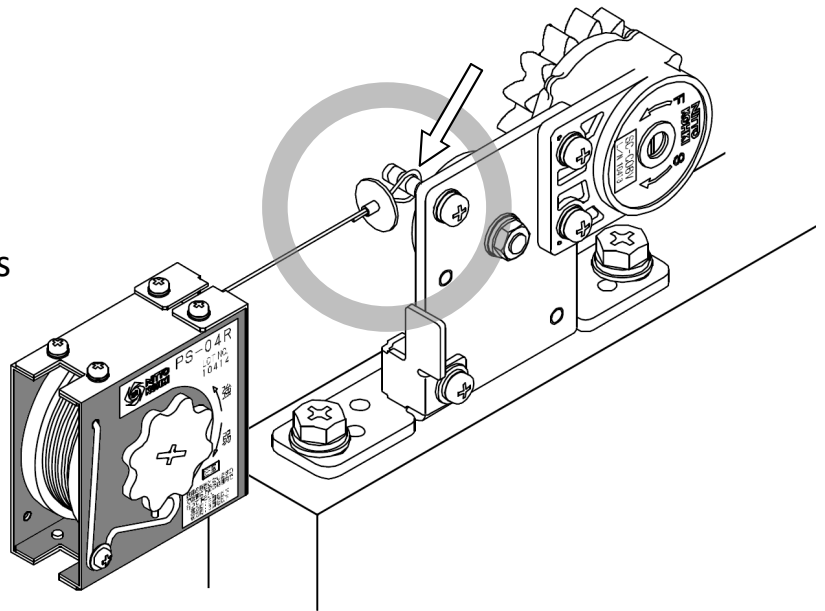
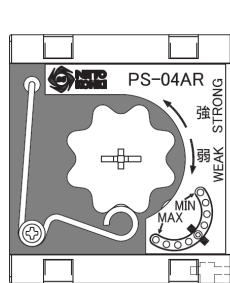


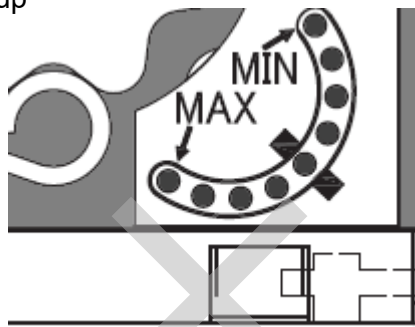
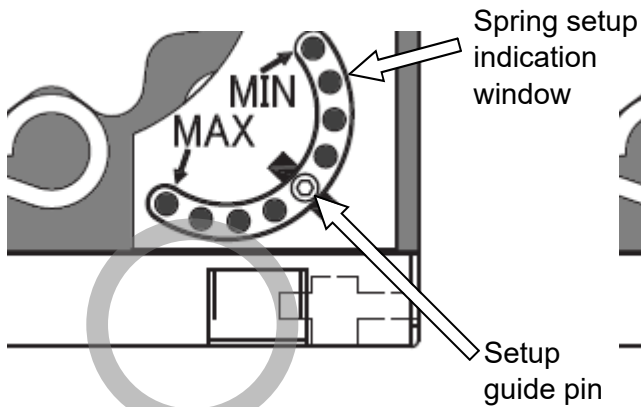
**[PS-04A Pull Spring Device - Precaution]**



**⚠ CAUTION**  
**Do NOT release the wire.**



Make sure that the wire is securely hooked on the hanger pin at all times.



**⚠ CAUTION**

Make sure that the setup guide pin is always seen in the setup window.

(If the setup guide pin is not seen in the window, it means that the unit is overly adjusted weak or strong, and will eventually cause damage.)

Warning : Failure to above instructions will cause serious damage against the device. The unit may no longer work properly and will need to be replaced.

Example:

- Wire will no longer get retracted into the case.
- Shackle or wire ring will be badly damaged/ deformed.

