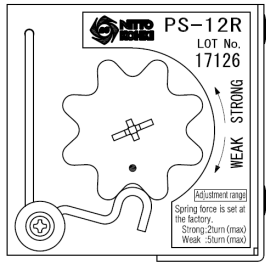
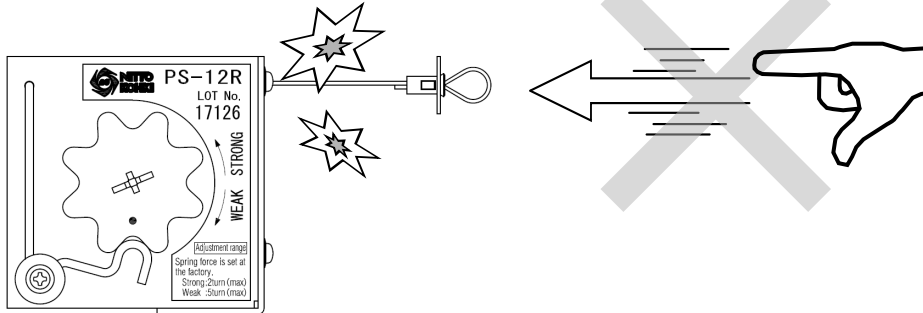


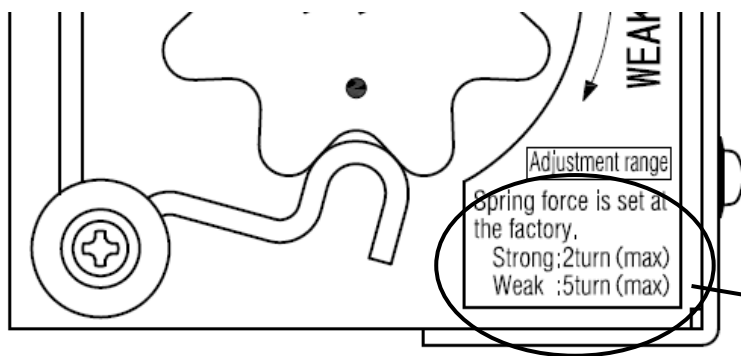
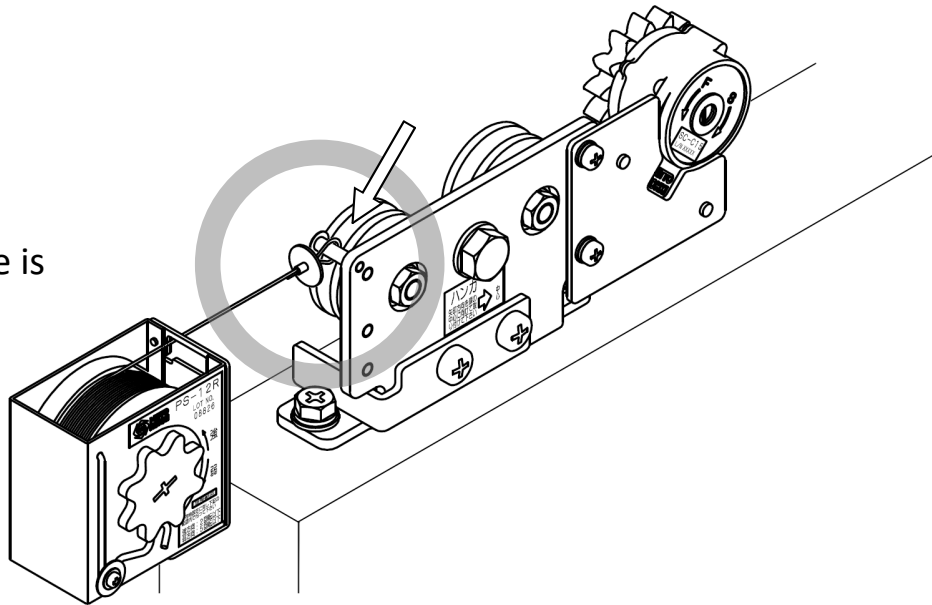
[PS-12 Pull Spring Device - Precaution]



⚠ CAUTION
Do NOT release the wire.



Make sure that the wire is securely hooked on the hanger pin at all times.



⚠ CAUTION

Spring force has been set at medium level by the factory. When adjusting, do NOT exceed the maximum number of turns allowed for each direction.

For STRONG direction : Max. 2 turns
For WEAK direction : Max. 5 turns

Warning : Failure to above instructions will cause serious damage against the device. The unit may no longer work properly and will need to be replaced.

Example:

- Wire will no longer get retracted into the case.
- Shackle or wire ring will be badly damaged/ deformed.

